



FIA European Autocross  
Guidelines v. 02. March 2022  
Appendix 2



# FIA EUROPEAN AUTOCROSS & CROSS CAR BRAND GUIDELINES





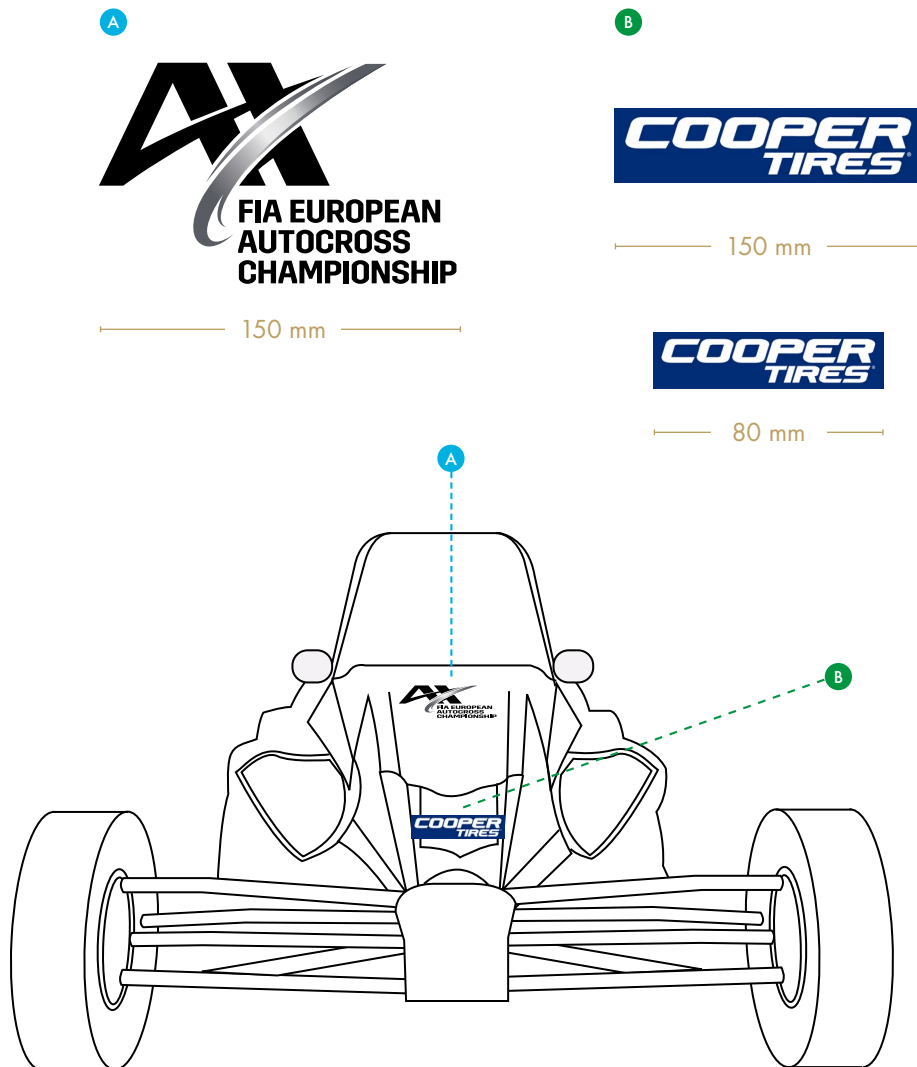
# FIA AUTOCROSS LOGO APPLICATION

It is crucial that the FIA Autocross brand elements are displayed as shown here, and in a consistent manner on all touchpoints and materials.

## Logo Application

# CAR BODYWORK – COMPULSORY

### EXAMPLE ILLUSTRATION



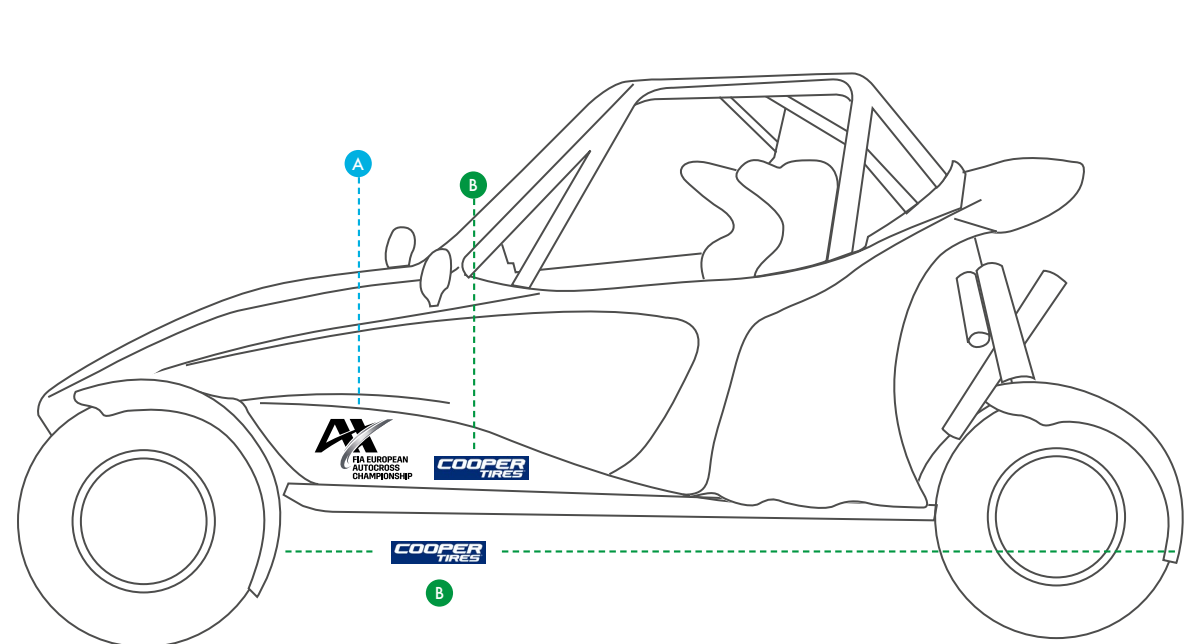
### APPLICATION AND USAGE

The car livery should clearly display these logos in whichever colour or mono format that will give the greatest stand-out:

- FIA European Autocross Championship Logo
- Cooper Tires Logo

Minimum recommended Logo sizes:

- 3 x FIA Euro AutoX Logo x3 (nose & sides): 150 mm
- 3 x Cooper Tires Logo (nose & sides): 150 mm
- 4 x Cooper Tires Logo (back of mudguards): 80 mm

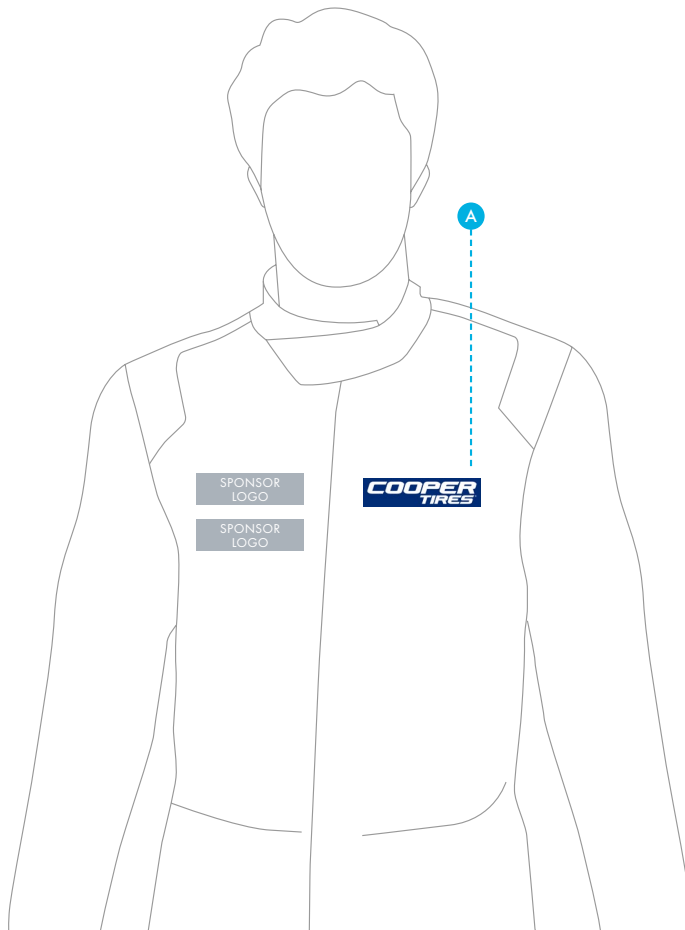


## Logo Application

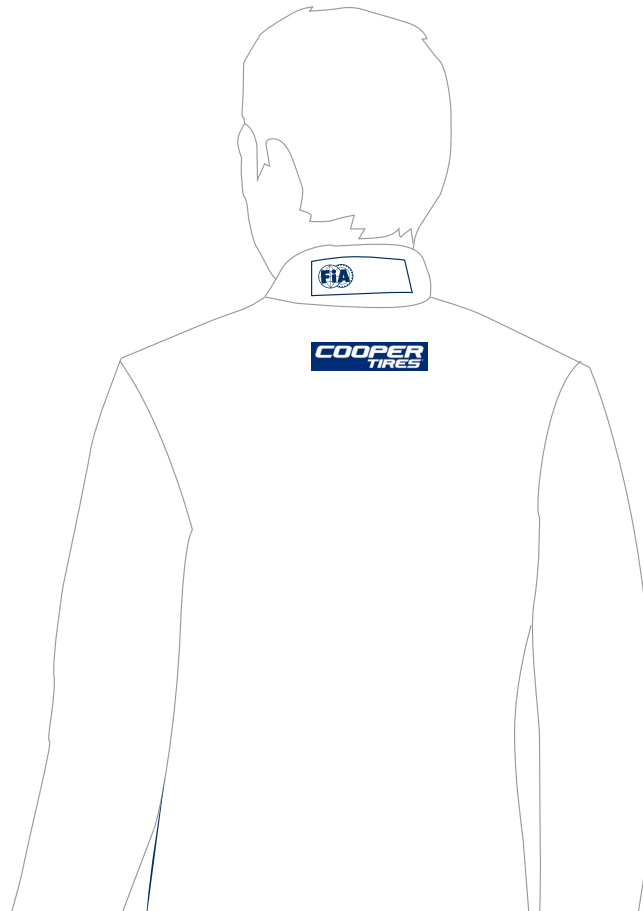
# DRIVER OVERALLS – COMPULSORY

### EXAMPLE ILLUSTRATION

DRIVER FRONT



DRIVER BACK



### APPLICATION AND USAGE

Driver overalls should clearly display the Cooper Tires Logo as shown here.

- 1 x Cooper Tires Logo embroidered or printed onto driver overalls, placed in 'A' and 'B' location. Min 80mm wide.



80 mm



# FIA CROSS CAR LOGO APPLICATION

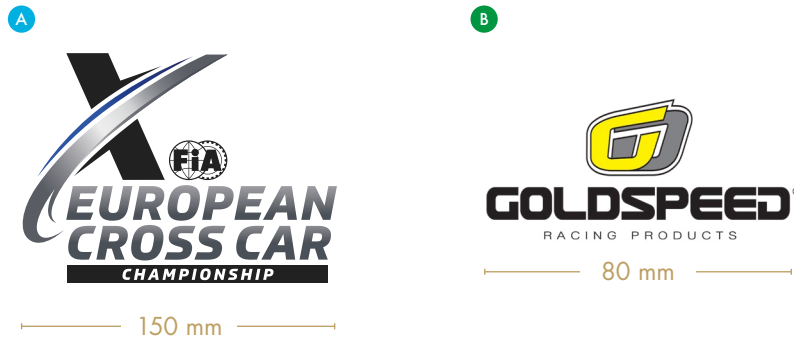
It is crucial that the FIA Cross Car brand elements are displayed as shown here, and in a consistent manner on all touchpoints and materials.



## Logo Application

# CAR BODYWORK – COMPULSORY

### EXAMPLE ILLUSTRATION



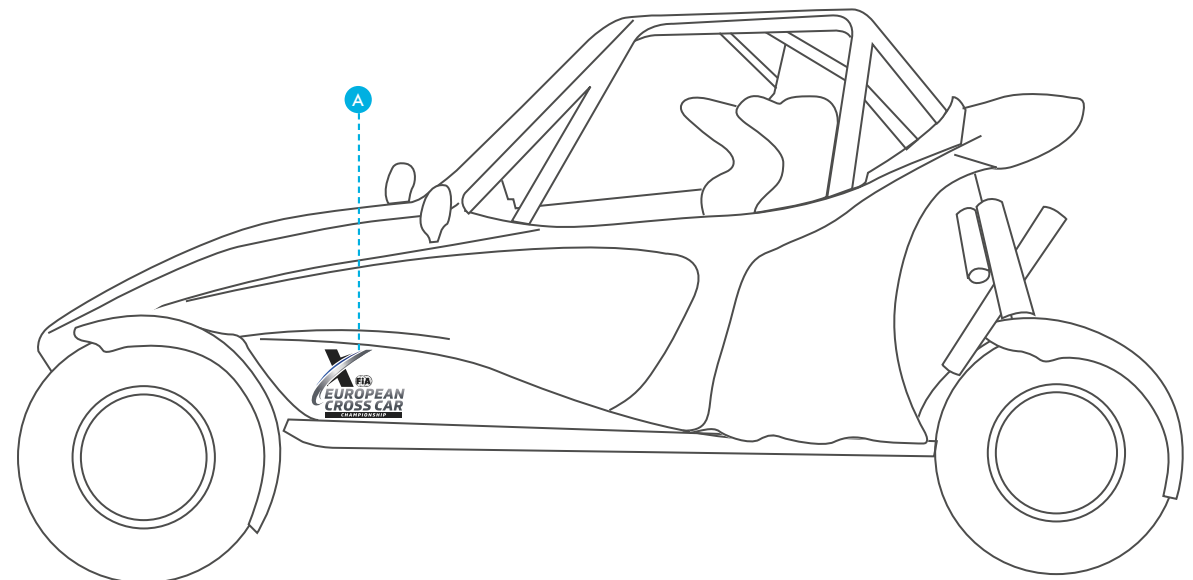
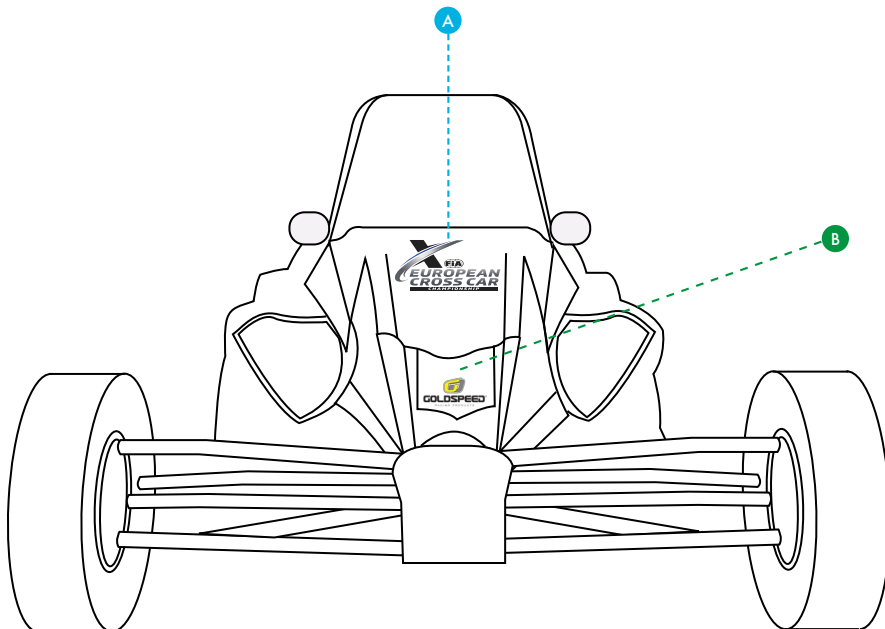
### APPLICATION AND USAGE

The car livery should clearly display these logos in whichever colour or mono format that will give the greatest stand-out:

- FIA European Cross Car Championship Logo
- Goldspeed Logo

Minimum recommended Logo sizes:

- 3 x FIA Euro XCar Logo (nose & sides): 150 mm
- 1 x Goldspeed Logo (nose only): 80 mm





# CONTACTS

For enquiries or questions about using the FIA European Autocross guidelines, please contact our team:

## STEPHANE FILLASTRE HEAD OF LICENSING

Federation Internationale de L'Automobile  
2 Chemin de Blandonnet, 1214 Vernier,  
Geneva, Switzerland

Direct +41 (0)2 25 44 45 45  
Fax +41 (0)2 25 44 44 50

Email [sfillastre@fia.com](mailto:sfillastre@fia.com)

## BENOÎT DUPONT OFF-ROAD CATEGORY MANAGER

Federation Internationale de L'Automobile  
2 Chemin de Blandonnet, 1214 Vernier,  
Geneva, Switzerland

Direct +41 (0)2 25 44 44 36  
Fax +41 (0)2 25 44 44 50

Email [bdupont@fia.com](mailto:bdupont@fia.com)